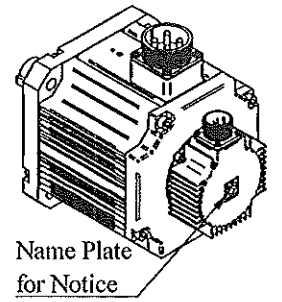


Model: JSMA-PIH44AAK											
No.	Item	Symbol	Unit	Specification	No.	Item	Symbol	Unit	Specification		
1	Drive	-	-	3 ϕ 220 VAC	13	Rotor Inertia	Jm	kg-cm ²	59.17 \pm 10%		
2	Cooling Method	-	-	Totally Enclosed	14	Rated Power Rate	Q-R	Kw/s	132.5		
3	Exciting Method	-	-	Permanent Magnet	15	Resistance	Ra	Ω	0.167 \pm 10%/2 ϕ		
4	Resolution	-	-	17 BIT(ABS)	16	Inductance	L	mH	4.3 \pm 10% / 2 ϕ		
5	Rated Output	P-R	W	4400	17	Mech. Time Constant	Tm	ms	0.96 \pm 10%		
6	Rated Torque	T-R	N-m	28	18	Elect. Time Constant	Te	ms	25.81 \pm 10%		
7	Max. Torque	T-max	N-m	70	19	Insulation Class	-	-	Class F		
8	Rated Speed	N-R	rpm	1500	20	Operation Temp.	T	$^{\circ}$ C	0~40		
9	Rated Current	I-R	A	23.6	21	Operation Humd.	RH	%	<80		
10	Max. Current	I-max	A	59	22	Storage Temp.	T	$^{\circ}$ C	-20~-60		
11	Torque Constant	Kt	N-m/A	1.19 \pm 10%	23	Storage Humd.	RH	%	<80		
12	Voltage Constant	Ke	V/krpm	79 \pm 10%	24	Weight	W	kgw	22.1		

PIN	Signal
B	+5V
I	0V
A	VB+
C	VB-
H	SD+
D	SD-
G	
E	
F	FG

Pin	Signal
A	U
B	V
C	W
D	FG

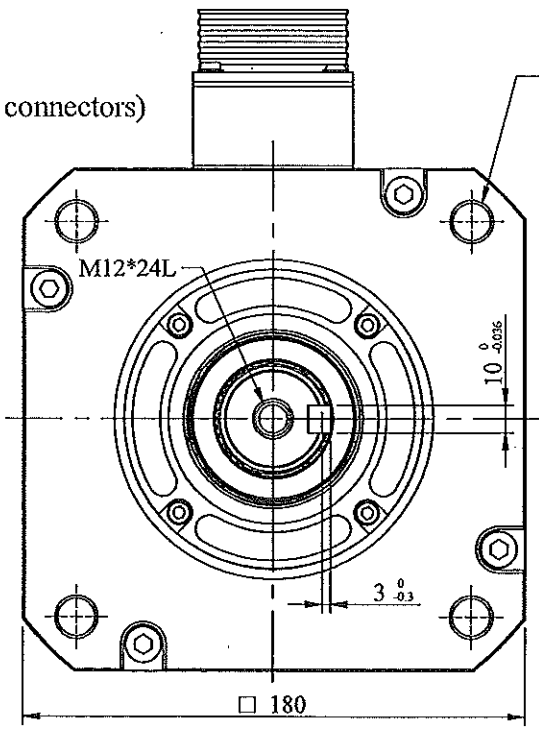


Motor Wiring

Encoder Wiring

Name Plate for Notice

NOTE:
Motor to be IP67
(excluding the shaft opening & connectors)



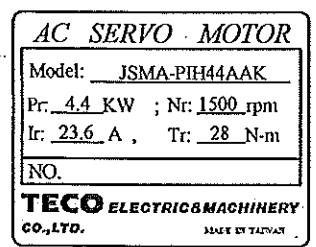
4-Ø13.5
P.C.D.Ø200±0.1

Name Plate for Spec

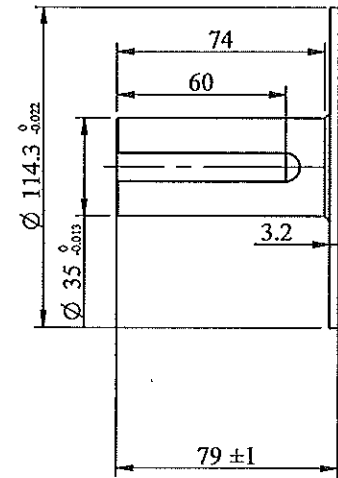


Do not Hammer!

Name Plate for Notice



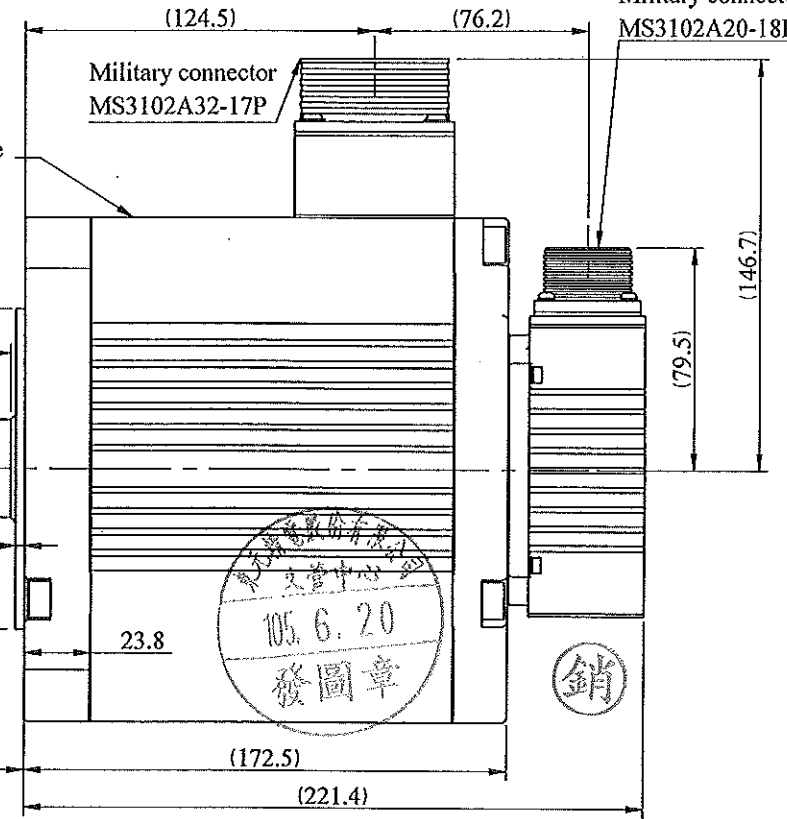
Name Plate for Spec



Military connector MS3102A32-17P

Name Plate for Spec

Military connector MS3102A20-18P



STANDARD TOLERANCE					APVD	<i>25</i>	<i>7/6/16</i>	SCALE		UNIT	mm	NAME	Servo Motor Outline Drawing	
X	±0.5				CHKD	<i>Michelle</i>	<i>6/16/16</i>	3RD .A.P		TITLE	JSMA-PIH44AAK			
.X	±0.2				CHKD									
.XX	±0.05				DWN	Chin	06-08-'16			TECO ELECTRO DEVICES CO., LTD.	Dept. Design	DWG.NO.	D01B18442H3N3AD01	
ANGLE	±30'													
MATERIAL		REV	DESCRIPTION	SIGNATURE	DATE	SIGNATURE	DATE							